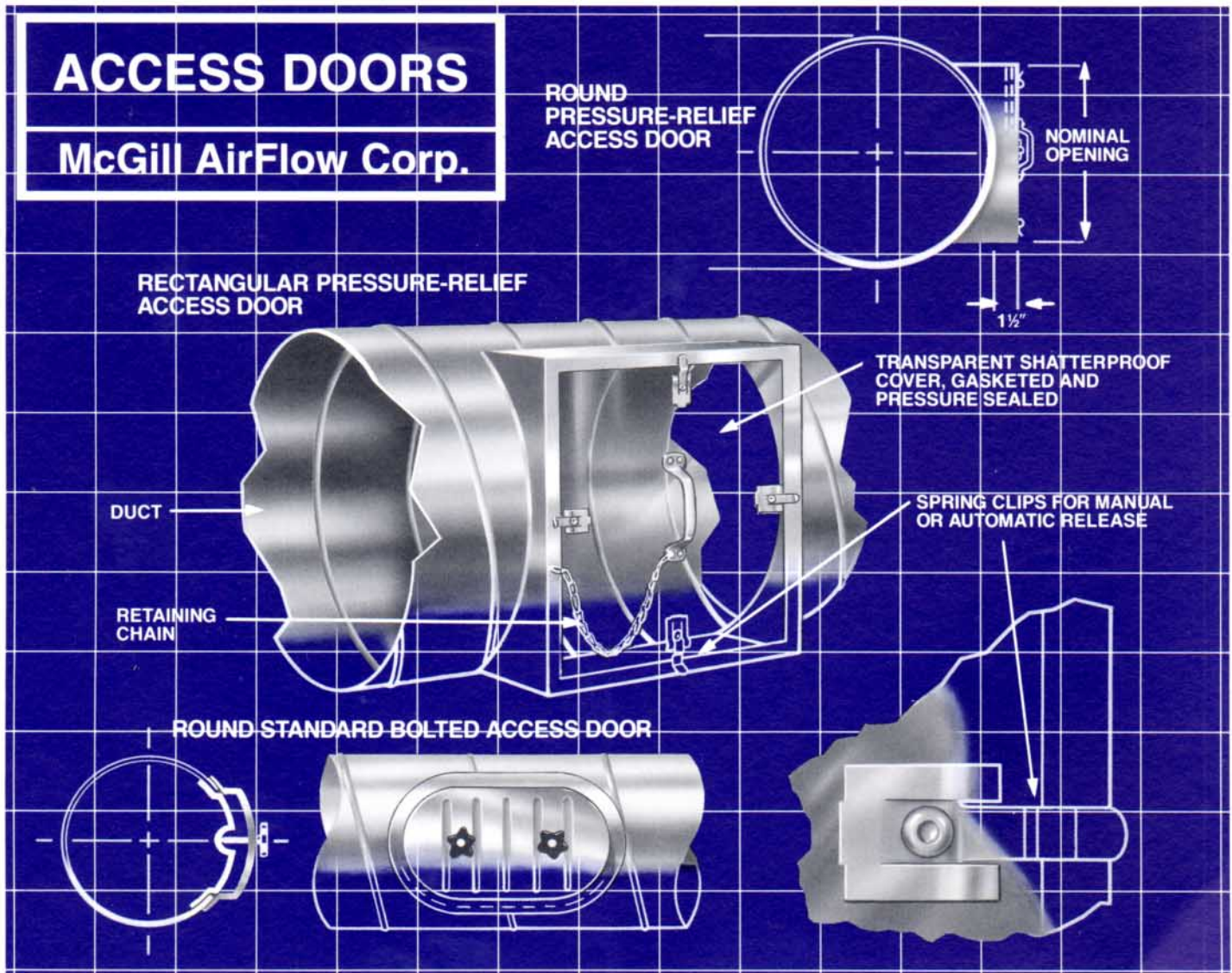


Access Doors

An enterprise of United McGill Corporation—
Founded in 1951

STANDARD, HINGED, and PRESSURE-RELIEF ACCESS DOORS for DUCT SYSTEMS

a McGill AirFlow™ product



McGill AirFlow Corporation's access doors provide a convenient way to reach or inspect fire dampers and other equipment located inside a duct system. To meet the needs of a variety of applications, we offer three types of access doors: standard bolted, hinged, and pressure-relief doors.

Standard bolted access doors are available in galvanized steel, stainless steel (type 304 or 316), and aluminum constructions. We can supply them loose or manifolded to the duct. Hinged and pressure-relief access doors are available in galvanized steel, cold-rolled steel, stainless steel (type 304 or 316), and aluminum constructions. We can supply them loose, manifolded to the duct, or attached to fitting bodies. When access doors are attached to fitting bodies, the fitting bodies have the gauges listed in **Table 1** for standard galvanized or stainless steels.

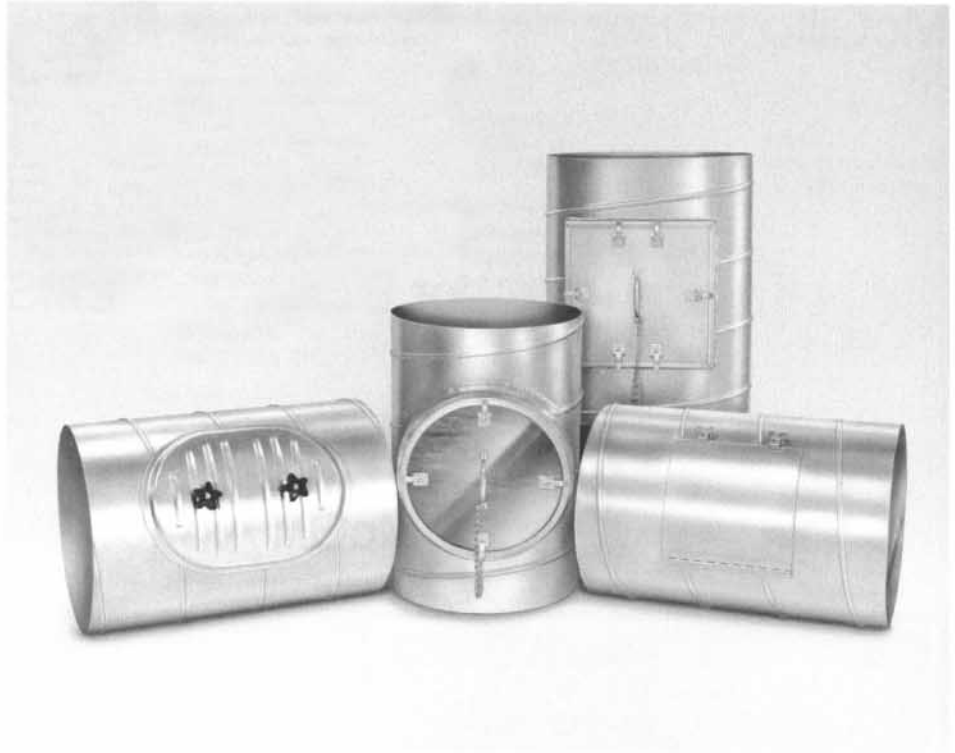


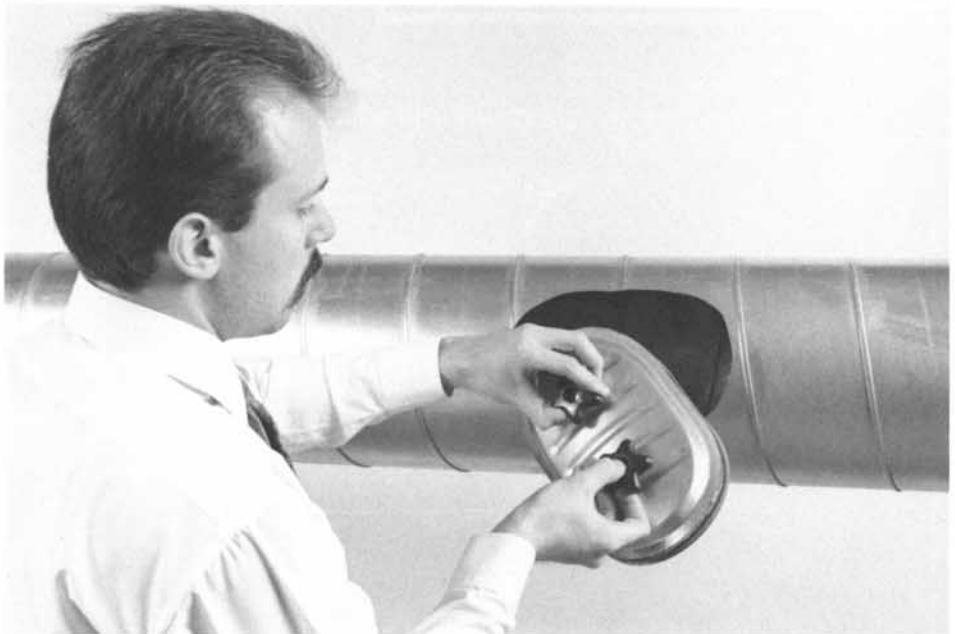
Table 1

Fitting Body Diameter (inches)	Metal Thickness (gauge)
4-36	20
37-60	18

Note: Heavier gauges may be ordered for industrial applications.

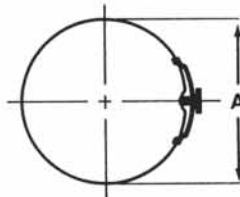
Specifications for access doors can be found in McGill AirFlow's publication *Recommended Specifications for Commercial and Industrial Duct Systems*.

United McGill® is a registered trademark and McGill AirFlow™ is a trademark of United McGill Corporation.

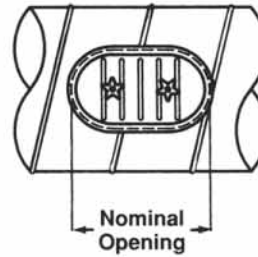


Standard Bolted Access Doors

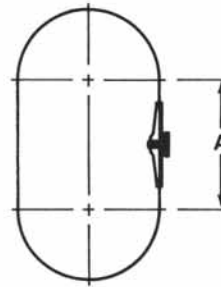
Our economical standard bolted access door provides easy access to the interior of duct systems. To gain access, simply turn the hand knobs and remove the door. No special tools or wrenches are needed. This oval door is designed for easy installation on round, flat oval, or rectangular duct. It is constructed of an outer door connected to an inner plate by spring-loaded carriage bolts. Once the inner plate has been inserted in the duct opening, the carriage bolts can be tightened by turning the hand knobs. An inert cellular sponge gasket fixed to the inner plate keeps the door leak free at pressures of more than 20 inches wg. The door has permanently bonded polyester insulation to prevent moisture from forming on its outer surface. An adhesive template is provided for field installations so that the duct opening can be cut without expensive layout or measuring. Doors are available for single-wall duct or double-wall duct with 1-inch-thick insulation.



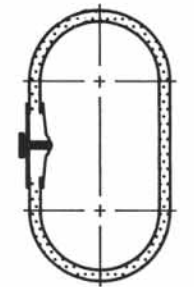
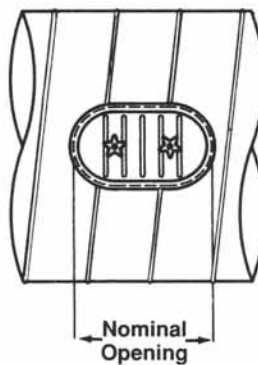
AOBXFSDC
Single-Wall, Contoured



AOBXFDDC
Double-Wall, Contoured



AOBXFSDF
Single-Wall, Flat



AOBXFDDF
Double-Wall, Flat

Designations—Standard Bolted Access Doors

For Round Duct or Minor Axis of Flat Oval Duct	For Flat Span of Flat Oval Duct or Rectangular Duct	Description
AOBXFSDC AOBXFDDC	AOBXFSDF AOBXFDDF	Single-Wall Door Double-Wall Door

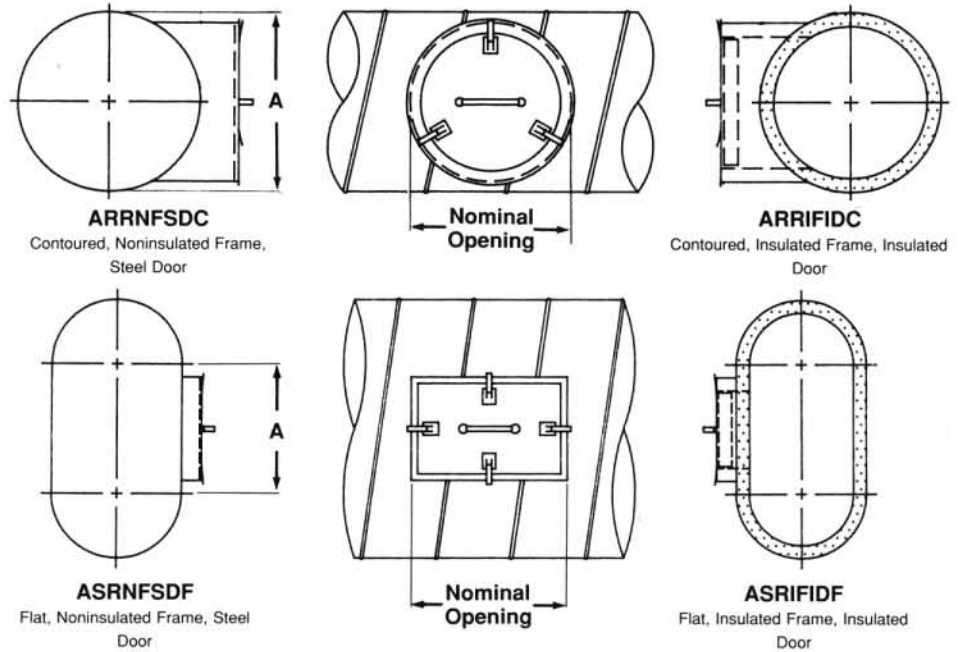
Standard Bolted Access Doors for Galvanized Steel

Nominal Opening (inches)	(A) Applicable Range	Material Thickness (gauge)
	of round diameters, minor axes of flat oval, flat spans of flat oval, or rectangular dimensions (inches)	
10 x 6	8-30	22
16 x 12 ¹	18-60	20
24 x 18 ¹	48-72	18

¹Also available for 1-inch-thick insulation, double-wall applications (AOBXFDDC and AOBXFDDF).

Pressure-Relief Access Doors

Our pressure-relief access door (for positive pressure systems) provides both convenient access and protection against duct collapse, which can occur downstream when a fire damper closes. During normal operation, the cover is held in place against a sealing gasket by special latches. To gain access, simply open the latches and remove the door by its handle. If a closed damper causes substantial negative pressure immediately downstream at the access door location, the cover of the access door automatically opens inward to relieve pressure and prevent collapse. A retaining chain prevents the cover from being pulled into the ductwork. Available with solid-metal, insulated, or plexiglass doors.



Designations—Pressure-Relief Access Doors

Round Relief Access Doors		Rectangular Relief Access Doors		Description
For Round Duct or Minor Axis of Flat Oval Duct	For Flat Span of Flat Oval Duct or Rectangular Duct	For Round Duct or Minor Axis of Flat Oval Duct	For Flat Span of Flat Oval Duct or Rectangular Duct	
ARRIFDC	ARRIFIDF	ASRIFIDC	ASRIFIDF	Insulated frame, insulated door Noninsulated frame, insulated door Insulated frame, noninsulated steel door Noninsulated frame, noninsulated steel door Insulated frame, transparent window door Noninsulated frame, transparent window door
ARRNFDC	ARRNFIDF	ASRNIDC	ASRNIDF	
ARRIFSDC	ARRIFSDF	ASRIFSDC	ASRIFSDF	
ARRNFSDC	ARRNFSDF	ASRNFSDC	ASRNFSDF	
ARRIFWDC	ARRIFWDF	ASRIFWDC	ASRIFWDF	
ARRNFWDC	ARRNFWDF	ASRNFWDC	ASRNFWDF	

Standard Round Relief Access Doors for Galvanized Steel

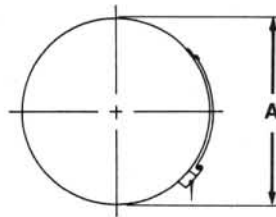
Nominal Opening (inches)	(A) Applicable Range	Material Thickness (gauge)
	of round diameters, minor axes of flat oval, flat spans of flat oval, or rectangular dimensions (inches)	
5	5-7	20
7	8-10	20
10	11-13	20
13	14-19	20
19	20-36	20
19	37-60	18

Standard Rectangular Relief Access Doors for Galvanized Steel

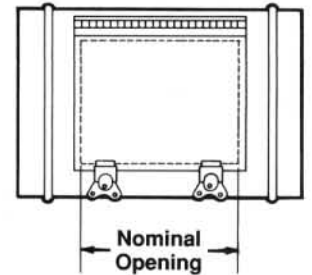
Nominal Opening (inches)	(A) Applicable Range	Material Thickness (gauge)
	of round diameters, minor axes of flat oval, flat spans of flat oval, or rectangular dimensions (inches)	
8 x 12	8-12	20
12 x 12	13-18	20
14 x 20	19-36	20
14 x 20	37-60	18

Hinged Access Doors

For negative pressure systems that require frequent access, we offer a hinged access door that can be operated easily without the need for screws or bolts. This door is constructed to open against negative duct pressure.



ASHXFSDC
Single-Wall, Contoured



Standard Hinged Access Doors for Galvanized Steel

Nominal Opening (inches)	(A) Applicable Range	Material Thickness (gauge)
	of round diameters or minor axes of flat oval (inches)	
4 x 6	4-8	20
8 x 8	8½ -14	20
8 x 10	14½ -24	20
10 x 12	25-36	20
12 x 14	37-48	18

The products depicted in this brochure were current at the time of publication. As a quality-conscious manufacturer, McGill AirFlow Corporation continually seeks ways to improve its products to better serve its customers. Therefore, all designs, specifications, and product features are subject to change without notice.

Sales Engineering Offices, Manufacturing Plants, and Duct Express™ Warehouses

Alabama

- 241 Lyon Lane
Birmingham, AL 35211
205/944-0034
Fax: 205/944-0091
mcgillairflowal@csi.com

Arizona

- 1236 West Southern Avenue
No. 105
Tempe, AZ 85282
602/966-2638
Fax: 602/966-4850

California

- 1747 East Charter Way
Stockton, CA 95206
209/466-2351
Fax: 209/941-2739
mcgillairflowca@csi.com
- 3914 Murphy Canyon Road
No. A167
San Diego, CA 92123
619/571-0989
Fax: 619/571-3659

Colorado

- 4920B Fox Street
Denver, CO 80216
303/297-8307
Fax: 303/297-8309

Connecticut

- 99 H Rainbow Road
East Granby, CT 06026
860/653-8001
Fax: 860/653-6995
mcgillairflowct@csi.com

Florida

- 4408 SW 36th Street
Orlando, FL 32811
407/841-7953
Fax: 407/423-8975
mcgillairflowfl@csi.com
- 3406 SW 26 Terrace
No. C-10
Ft. Lauderdale, FL 33312
954/321-5898
Fax: 954/321-5788
- Colonial Plaza Office Complex
6251 Phillips Highway
No. 3
Jacksonville, FL 32216
904/733-3868
Fax: 904/733-3978
- 6203 Johns Road
No. 12
Tampa, FL 33634
813/888-8803
Fax: 813/888-8831

Georgia

- 1750 Enterprise Way
No. 108
Marietta, GA 30067
770/541-1843
Fax: 770/541-0737

Illinois

- 2001 West Willow Knolls Road
No. 201
Peoria, IL 61614
309/692-2085
Fax: 309/691-1508

Indiana

- 3880 Pendleton Way
No. 700
Indianapolis, IN 46226
317/541-1530
Fax: 317/541-1536

Iowa

- 900 Pinder Avenue
Grinnell, IA 50112
515/236-6728
Fax: 515/236-7352
mcgillairflowia@csi.com

Kentucky

- 3300 Ruckriegel Parkway
No. 108
Louisville, KY 40299
502/266-8939
Fax: 502/266-9957

Maryland

- 7245 Hanover Parkway
Suite D
Greenbelt, MD 20770
301/982-2515
Fax: 301/982-0072

Massachusetts

- 2J Gill Street
Woburn, MA 01801
781/939-0797
Fax: 781/939-0931

Michigan

- 32713 Schoolcraft Road
No. 107
Livonia, MI 48150
734/266-4169
Fax: 734/266-4182
mcgillairflowmi@csi.com

Minnesota

- 5820 74th Avenue North
No. 101
Brooklyn Park, MN 55443
612/569-9770
Fax: 612/569-9715

Missouri

- 6501 East Commerce Avenue
No. 207
Kansas City, MO 64120
816/231-1469
Fax: 816/231-4179

New Jersey

- 40 Baldwin Road
No. 4
Parsippany, NJ 07054
973/334-9440
Fax: 973/334-9518

New York

- 2100 Brighton Henrietta
Town Line Road
Rochester, NY 14623
716/475-1470
Fax: 716/475-1477

North Carolina

- 2748-G Interstate Street
Charlotte, NC 28208
704/393-1056
Fax: 704/393-0873
- 2201 Brentwood Road
No. 105
Raleigh, NC 27604
919/790-9888
Fax: 919/790-7161

Ohio

- 2400 Fairwood Avenue
Columbus, OH 43207
614/443-5520
Fax: 614/444-0234
mcgillairflowoh@csi.com
- 485 Ken-Mar Industrial Parkway
Broadview Heights, OH 44147
440/546-4454
Fax: 440/546-4933
- 2954 East Crescentville Road
West Chester, OH 45069
513/771-5111
Fax: 513/771-8887

Oregon

- 5319 SW Westgate Drive
No. 164
Portland, OR 97221
503/296-0408
Fax: 503/296-0407

Pennsylvania

- 307 East Church Road
No. 7
King of Prussia, PA 19406
610/292-8087
Fax: 610/292-8204

- 2593 Wexford-Bayne Road
No. 101
Sewickley, PA 15143
724/934-0466
Fax: 724/934-0170

South Carolina

- 300 Dale Drive
Fountain Inn, SC 29644
864/862-4463
Fax: 864/862-5408
mcgillairflowsc@csi.com

Tennessee

- 505 Carden Jennings Lane
No. 600
Knoxville, TN 37932
423/675-2880
Fax: 423/675-2897
- 4169 Senator Street
Memphis, TN 38118
901/797-9014
Fax: 901/797-8934
- 614 Airpark Center Drive
Nashville, TN 37217
615/366-3191
Fax: 615/366-3715
mcgillairflownashtn@csi.com

Texas

- 206 Pecos Street
Hillsboro, TX 76645
254/582-5392
Fax: 254/582-2426
mcgillairflowtx@csi.com
- 2550 114th Street
No. 160
Grand Prairie, TX 75050
972/606-8553
Fax: 972/606-8711
- 2020 North Loop West
No. 106
Houston, TX 77018
713/956-5781
Fax: 713/956-5457
- 12961 Park Central
No. 1420
San Antonio, TX 78216
210/402-0122
Fax: 210/402-0543

Vermont

- 452 Harwood Hill Road
Bennington, VT 05201
802/442-8536
Fax: 802/442-9437
mcgillairflowvt@csi.com

Virginia

- 9415 Atlee Commerce
Center Boulevard
Suite I
Ashland, VA 23005
804/550-7780
Fax: 804/550-7787

Washington

- 6613 South 192nd Place
No. K100
Kent, WA 98032
425/251-9880
Fax: 425/251-9891

Wisconsin

- 6400 Gisholt Drive
No. 100
Madison, WI 53713
608/222-1445
Fax: 608/222-3816

Airflow/Acoustical Laboratory

- Broadway Industrial Park
200 East Broadway
Westerville, OH 43081
614/882-7401
Fax: 614/882-2090
mcgillairfloweng@csi.com

Corporate Headquarters

- One Mission Park
Groveport, OH 43125
614/836-9981
Fax: 614/836-9843
mcgillairflow@csi.com

KEY

- Manufacturing Plant Location
- Also a Duct Express Warehouse Location

Note: McGill AirFlow also has sales representatives in other major cities.

Visit our web site at:
<http://www.mcgillairflow.com>

Duct Express™ is a trademark of United McGill Corporation.

McGill AirFlow Corporation

An enterprise of United McGill Corporation — Founded in 1951