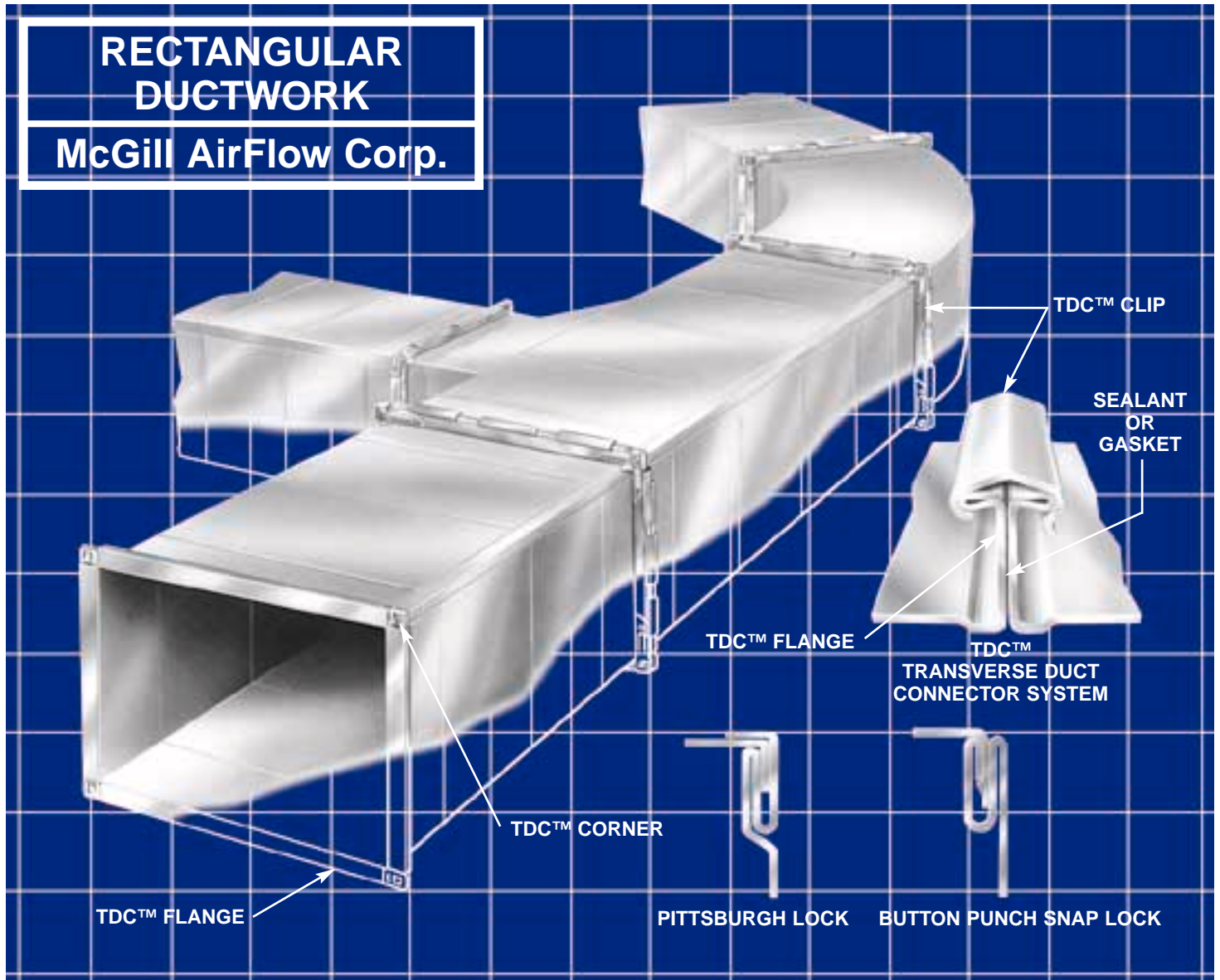


# Rectangular Duct and Fittings

SINGLE-WALL DUCTWORK  
and SINGLE-WALL DUCTWORK  
with ACOUSTI-LINE™ LINER

a McGill AirFlow™ product

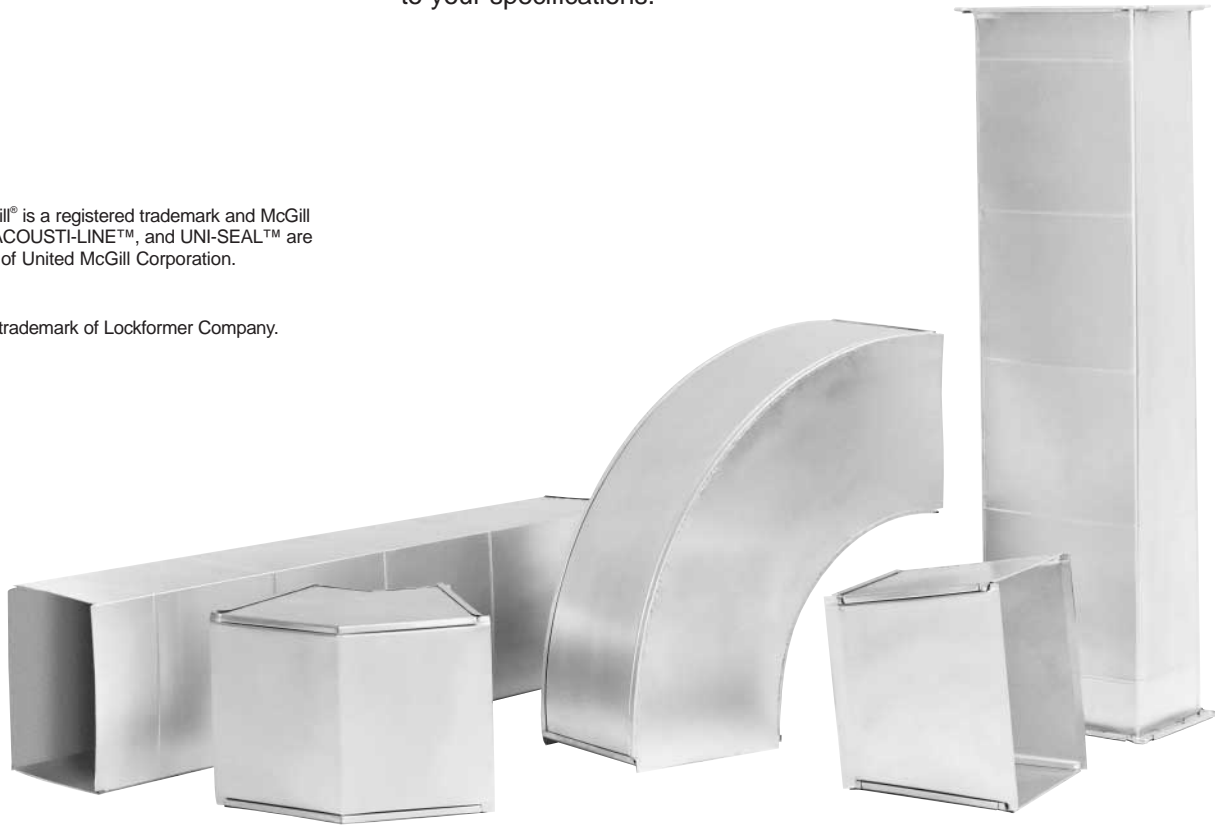


# Single-Wall, Rectangular Duct and Fittings

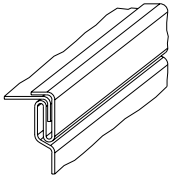
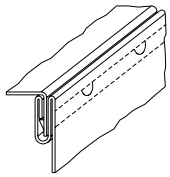
McGill AirFlow Corporation's single-wall, rectangular duct and fittings are factory fabricated to furnish you with a high-quality line of products in a broad range of standard sizes. To minimize field-assembly costs, rectangular duct is supplied in lengths up to 6 feet. Longitudinal seams are typically made with Pittsburgh locks or button-punch snap locks. In addition to economical TDC™ transverse duct connectors, S & drive slip joints, four-bolt connectors, and applied duct connectors are available. Rectangular ductwork can be shipped completely assembled or knocked down. McGill AirFlow's standard rectangular products are fabricated to meet SMACNA's 1995 duct construction standards. Plus, we can custom fabricate rectangular ductwork for commercial and industrial applications according to your specifications.

United McGill® is a registered trademark and McGill AirFlow™, ACOUSTI-LINE™, and UNI-SEAL™ are trademarks of United McGill Corporation.

TDC™ is a trademark of Lockformer Company.



## Single-Wall, Rectangular Duct and Fittings — Available Materials and Thicknesses

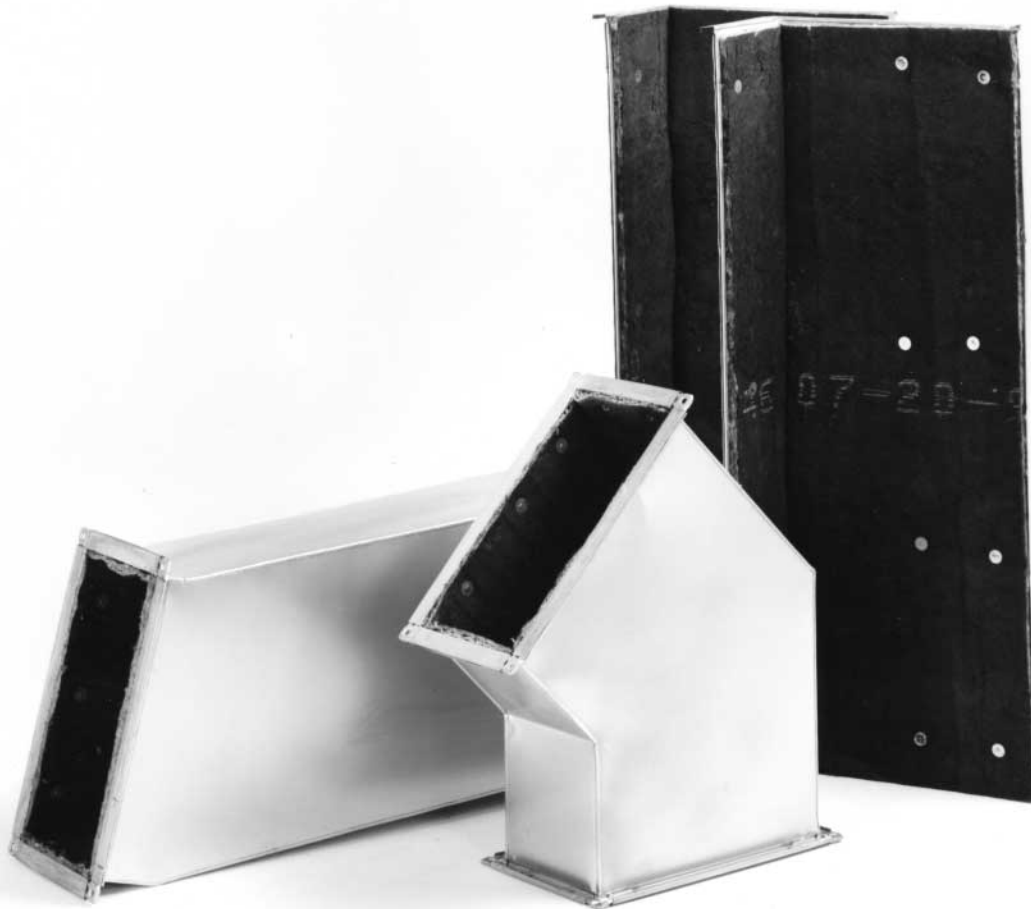
Construction	Materials	Thicknesses
<b>UNI-SEAL™</b> (Pittsburgh Lockseam) 	Galvanized Steel	28-18 gauge <sup>1</sup>
	Stainless Steel	26-22 gauge <sup>2</sup>
	Aluminum	0.032-0.050 inch
<b>UNI-SEAL</b> (Button-Punch Snap Lock) 	Galvanized Steel	28-20 gauge
	Stainless Steel	26-22 gauge

<sup>1</sup> Galvanized steel fittings with Pittsburgh lockseam construction are also available in 16 gauge.

<sup>2</sup> Stainless steel fittings with Pittsburgh lockseam construction are also available in 20 gauge.

# Single-Wall, Rectangular Ductwork with ACOUSTI-LINE Insulating Liner

Single-wall, rectangular ductwork is available with an ACOUSTI-LINE insulating liner coated to protect against erosion and microbial growth. This acoustical/thermal liner can be used with air velocities up to 5,000 fpm and temperatures up to 250°F. It is available in thicknesses of 1, 1½, and 2 inches and has a maximum thermal conductivity (k) factor of 0.27 Btu/hour/square foot/°F/inch thickness. Formulated with an anti-microbial agent that is EPA registered, the liner's acrylic coating resists the growth of fungus and bacteria (tested in accordance with ASTM C 1071 and ASTM G21 and G22). The liner's surface can be cleaned according to procedures detailed in the North American Insulation Manufacturers Association (NAIMA) Duct Cleaning Guide.



## Single-Wall, Rectangular Duct and Fittings — Assembly Options

Construction	Size Limitations*
Fully Assembled	None
L-Shaped	20 inches ≤ W + H ≤ 120 inches
Wrap Around	W + H < 20 inches

W = Width (inches); H = Depth (inches)

T = TDC connector; F = Four-bolt or angle-flange applied connector

\*Contact your local sales representative for other available sizes.

## ASTM Material Specifications

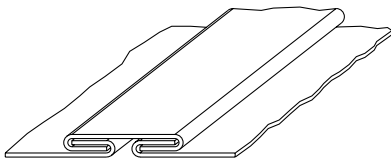
Standard Material	Type	ASTM Number
Galvanized Steel	—	A653, A924
Stainless Steel	304, 316	A167, A480
Nongalvanized Carbon Steel	18-28 gauge	A366, A568, A569
Aluminum	3003-H14	B209
Aluminized	1	A463

Other types of material are available.

## Single-Wall, Rectangular Duct and Fittings — Available Connectors

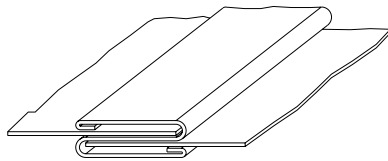
End Connectors	5-Foot Duct Length	6-Foot Duct Length
Raw End	60 inches	72 inches
S and Drive Slips	59 inches	71 inches
TDC	56 1/4 inches	68 1/4 inches
Applied Connectors	60 1/4 inches	72 1/4 inches

### End Connector Details



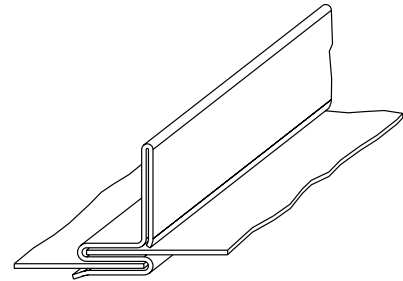
#### T-1 Drive Slip

Galvanized steel: 20 gauge maximum  
 Stainless steel: 24 gauge maximum  
 Aluminum: 0.050 inch maximum



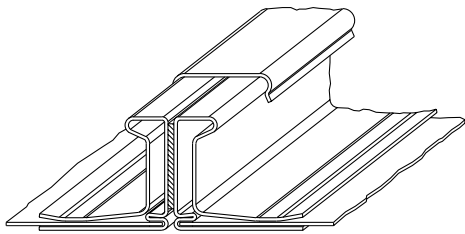
#### T-6 Hemmed S Slip

Galvanized steel: 20 gauge maximum  
 Stainless steel: 24 gauge maximum  
 Aluminum: 0.050 inch maximum

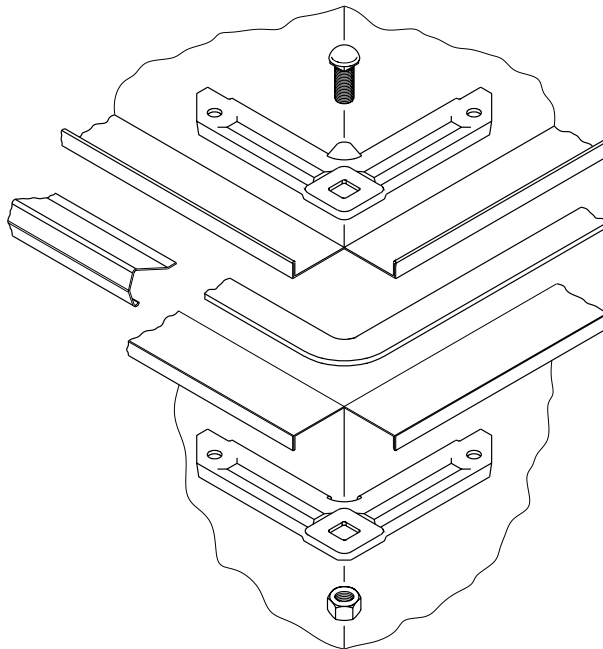


#### T-11 Standing S Slip

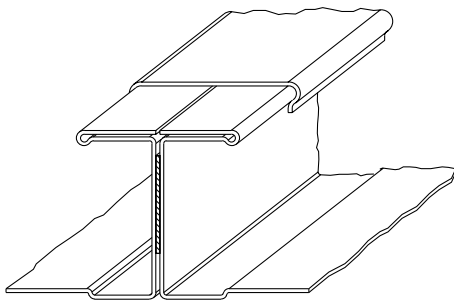
Galvanized steel: 20 gauge maximum  
 Stainless steel: 22 gauge maximum  
 Aluminum: 0.050 inch maximum



#### Applied Duct Connector/Cleat



#### Four-Bolt Corner Connector



#### Lockformer TDC Duct Connector/Cleat

---

## Automated Production with the Latest Manufacturing Technology

McGill AirFlow fabricates rectangular duct on automated coil lines to produce large orders quickly and economically. That benefits you by providing products with dependable quality at a low cost. With our large-scale manufacturing capabilities, we can help you on major projects and make sure that small orders are delivered quickly. Our ability to produce round, flat oval, and rectangular products enables us to supply all the sheet metal ductwork that you need for your projects.

### Additional Information

Construction details, dimension drawings, and standard gauges for McGill AirFlow products are available. Please contact the McGill AirFlow sales representative, sales office, Duct Express™ warehouse, or regional manufacturing plant nearest you. Reference publication: *Single-Wall and Single-Wall Lined, Rectangular Duct and Fittings Dimensions*.



Automated coil lines enable us to produce rectangular duct economically.



Our regional manufacturing plants can supply large orders of rectangular duct and fittings quickly.

Duct Express™ is a trademark of United McGill Corporation.

The products depicted in this brochure were current at the time of publication. As a quality-conscious manufacturer, McGill AirFlow continually seeks ways to improve its products to better serve its customers. Therefore, all designs, specifications, and product features are subject to change without notice.

## Sales Engineering Offices, Manufacturing Plants, and Duct Express Warehouses

### Alabama

□ 241 Lyon Lane  
**Birmingham, AL 35211**  
 205/944-0034  
 Fax: 205/944-0091  
 birmingham@mcgillairflow.com

### Arizona

□ 1236 West Southern Avenue  
 No. 105  
**Tempe, AZ 85282**  
 480/966-2638  
 Fax: 480/966-4850  
 phoenix@mcgillairflow.com

### California

□ 1747 East Charter Way  
**Stockton, CA 95205**  
 209/466-2351  
 Fax: 209/941-2739  
 californiaplant@mcgillairflow.com

3914 Murphy Canyon Road  
 No. A167

**San Diego, CA 92123**  
 858/571-0989  
 Fax: 858/571-3659

sandiego@mcgillairflow.com

### Colorado

□ 4920B Fox Street  
**Denver, CO 80216**  
 303/297-8307  
 Fax: 303/297-8309  
 denver@mcgillairflow.com

### Connecticut

□ 15E International Drive  
**East Granby, CT 06026**  
 860/653-8001  
 Fax: 860/653-6995  
 hartford@mcgillairflow.com

### Florida

□ 4408 SW 36th Street  
**Orlando, FL 32811**  
 407/841-7953  
 Fax: 407/423-8975  
 orlandoplant@mcgillairflow.com

□ 3406 SW 26 Terrace  
 No. C-10  
**Ft. Lauderdale, FL 33312**  
 954/321-5898  
 Fax: 954/321-5788  
 ft.lauderdale@mcgillairflow.com

Colonial Plaza Office Complex  
 6251 Phillips Highway  
 No. 3

**Jacksonville, FL 32216**  
 904/733-3868  
 Fax: 904/733-3978

jacksonville@mcgillairflow.com

□ 6203 Johns Road  
 No. 12  
**Tampa, FL 33634**  
 813/888-8803  
 Fax: 813/888-8831  
 tampabay@mcgillairflow.com

### Georgia

□ 1750 Enterprise Way  
 No. 108  
**Marietta, GA 30067**  
 770/541-1843  
 Fax: 770/541-0737  
 atlanta@mcgillairflow.com

### Illinois

125 Windsor Drive  
 No. 103  
**Oak Brook, IL 60523**  
 630/572-1293  
 Fax: 630/572-1310  
 chicago@mcgillairflow.com

2001 West Willow Knolls Road  
 No. 201

**Peoria, IL 61614**  
 309/692-2085  
 Fax: 309/691-1508  
 peoria@mcgillairflow.com

### Indiana

□ 3880 Pendleton Way  
 No. 700  
**Indianapolis, IN 46226**  
 317/541-1530  
 Fax: 317/541-1536  
 indianapolis@mcgillairflow.com

### Iowa

□ 900 Pinder Avenue  
**Grinnell, IA 50112**  
 641/236-6728  
 Fax: 641/236-7352  
 iowaplant@mcgillairflow.com

### Kentucky

□ 3300 Ruckriegel Parkway  
 No. 108  
**Louisville, KY 40299**  
 502/266-8939  
 Fax: 502/266-9957  
 louisville@mcgillairflow.com

### Maryland

□ 9210 Hampton Overlook  
 No. B-6  
**Capitol Heights, MD 20743**  
 301/324-2322  
 Fax: 301/324-0048  
 baltimore-washington@mcgillairflow.com

### Massachusetts

□ 2J Gill Street  
**Woburn, MA 01801**  
 781/939-0797  
 Fax: 781/939-0931  
 boston@mcgillairflow.com

### Michigan

□ 32713 Schoolcraft Road  
 No. 107  
**Livonia, MI 48150**  
 734/266-4169  
 Fax: 734/266-4182  
 detroit@mcgillairflow.com

### New Jersey

40 Baldwin Road  
 No. 4  
**Parsippany, NJ 07054**  
 973/334-9440  
 Fax: 973/334-9518  
 newyork@mcgillairflow.com

### New York

□ 2100 Brighton Henrietta  
 Town Line Road  
**Rochester, NY 14623**  
 716/475-1470  
 Fax: 716/475-1477  
 rochester@mcgillairflow.com

### North Carolina

□ 2748-G Interstate Street  
**Charlotte, NC 28208**  
 704/393-1056  
 Fax: 704/393-0873  
 charlotte@mcgillairflow.com

### Ohio

□ 2201 Brentwood Road  
 No. 105  
**Raleigh, NC 27604**  
 919/790-9888  
 Fax: 919/790-7161  
 raleigh@mcgillairflow.com

### Ohio

□ 2400 Fairwood Avenue  
**Columbus, OH 43207**  
 614/443-5520  
 Fax: 614/444-0234  
 ohioplant@mcgillairflow.com

□ 485 Ken-Mar Industrial Pkwy.  
**Broadview Heights, OH 44147**  
 440/546-4454  
 Fax: 440/546-4933  
 cleveland@mcgillairflow.com

□ 2954 East Crescentville Road  
**West Chester, OH 45069**  
 513/771-5111  
 Fax: 513/771-8887  
 cincinnati@mcgillairflow.com

### Pennsylvania

□ 307 East Church Road  
 No. 7  
**King of Prussia, PA 19406**  
 610/292-8087  
 Fax: 610/292-8204  
 philadelphia@mcgillairflow.com

2593 Wexford-Bayne Road  
 No. 101  
**Sewickley, PA 15143**  
 724/934-0466  
 Fax: 724/934-0170  
 pittsburgh@mcgillairflow.com

### South Carolina

□ 300 Dale Drive  
**Fountain Inn, SC 29644**  
 864/862-4463  
 Fax: 864/862-5408  
 s.carolinaplant@mcgillairflow.com

### Tennessee

□ 4169 Senator Street  
**Memphis, TN 38118**  
 901/797-9014  
 Fax: 901/797-8934  
 memphis@mcgillairflow.com

□ 614 Airpark Center Drive  
**Nashville, TN 37217**  
 615/366-3191  
 Fax: 615/366-3715  
 nashville@mcgillairflow.com

### Texas

□ 206 Pecos Street  
**Hillsboro, TX 76645**  
 254/582-5392  
 Fax: 254/582-2426  
 texasplant@mcgillairflow.com

□ 2550 114th Street  
 No. 160  
**Grand Prairie, TX 75050**  
 972/606-8553  
 Fax: 972/606-8711  
 dallas-ft.worth@mcgillairflow.com

□ 2523 Fairway Park Drive  
 No. 520  
**Houston, TX 77092**  
 713/680-3771  
 Fax: 713/680-8037  
 houston@mcgillairflow.com

□ 12961 Park Central  
 No. 1420  
**San Antonio, TX 78216**  
 210/402-0122  
 Fax: 210/402-0543  
 sanantonio@mcgillairflow.com

### Vermont

□ 452 Harwood Hill Road  
**Bennington, VT 05201**  
 802/442-8536  
 Fax: 802/442-9437  
 vermontplant@mcgillairflow.com

### Virginia

□ 9415 Atlee Commerce  
 Center Boulevard  
 Suite I  
**Ashland, VA 23005**  
 804/550-7780  
 Fax: 804/550-7787  
 richmond@mcgillairflow.com

### Washington

258 SW 43rd Street  
 Building 3, Suite M-A  
**Renton, WA 98055**  
 425/251-9880  
 Fax: 425/251-9891  
 seattle@mcgillairflow.com

### Wisconsin

□ N56 W13555 Silver Spring Drive  
**Menomonee Falls, WI 53051**  
 262/252-3249  
 Fax: 262/252-3254  
 milwaukee@mcgillairflow.com

### AirFlow/Acoustical Laboratory

190 East Broadway  
**Westerville, OH 43081**  
 614/882-5455  
 Fax: 614/882-2090  
 mafengineering@mcgillairflow.com

### Corporate Headquarters

One Mission Park  
**Groveport, OH 43125**  
 614/836-9981  
 Fax: 614/836-9843  
 marketing@mcgillairflow.com

### Note:

McGill AirFlow Corporation  
 also has sales representatives  
 in other major cities.

### KEY

- Manufacturing Plant Location
- Also a Duct Express Warehouse Location



An enterprise of United McGill Corporation — Founded in 1951

Web site: www.mcgillairflow.com