

McGill AirFlow LLC

An enterprise of United McGill Corporation —
Family owned and operated since 1951

Uni-Gasket™ Fittings

ROUND, GASKETED, METAL FITTINGS
for HVAC DUCT SYSTEMS

a McGill AirFlow™ product



Uni-Gasket Self-Sealing Fittings Reduce Assembly Time and Costs

Uni-Gasket fittings will save you money because they reduce assembly time about 30 to 40 percent by eliminating joint sealing (assembly time excludes the time to hang duct). They feature a single-leg EPDM rubber gasket, held in place with a 180° hemmed edge, that provides a reliable, airtight seal. Testing has shown that this design meets or exceeds SMACNA's Class 3 for leakage (-20 inches wg to +20 inches wg). Fittings are secured to the duct with self-tapping screws uniformly located around the circumference as per SMACNA standards.

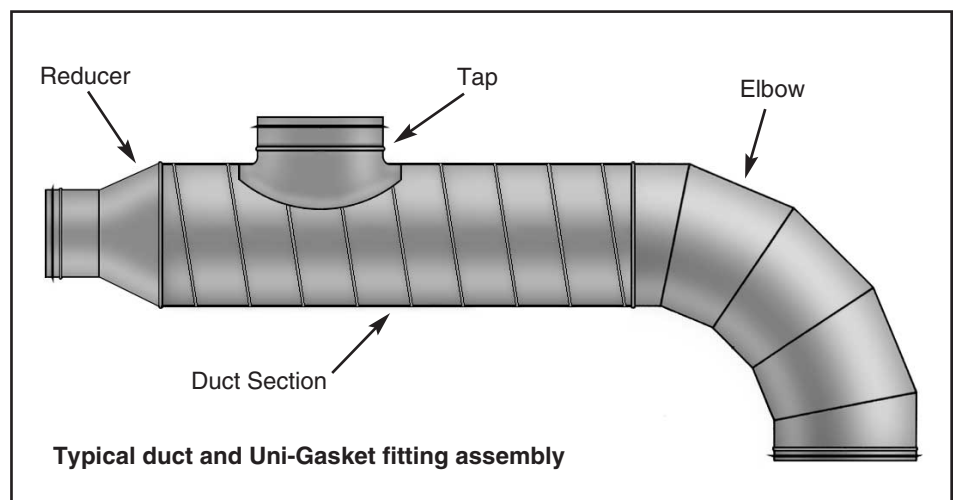
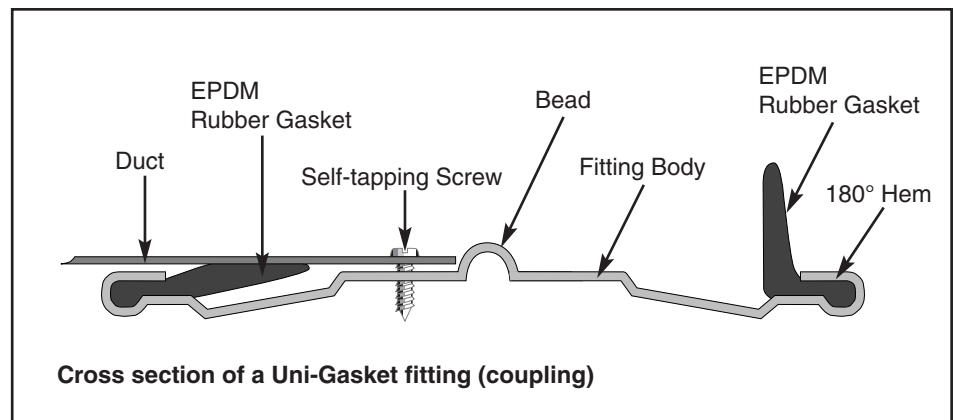
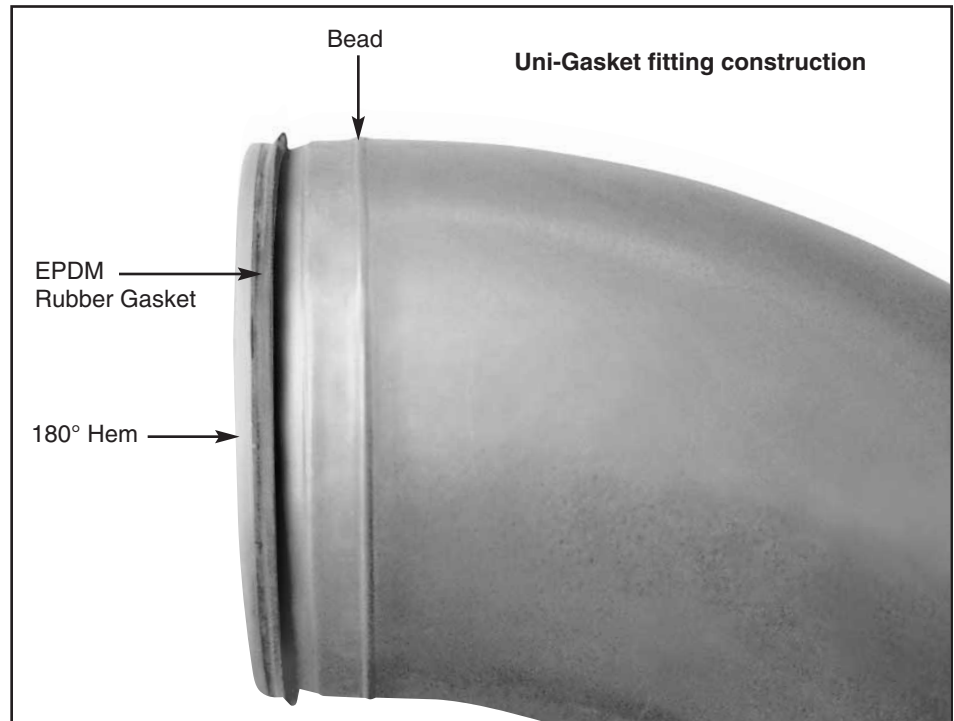
Uni-Gasket round fittings are available in single-wall and double-wall constructions in all of McGill's fitting types. Single-wall fittings are offered in 3- through 24-inch diameters. Double-wall fittings, depending on the insulation thickness that is specified, are available in 3- through 22-, 20-, or 18-inch diameters.

Uni-Gasket fittings are fabricated from galvanized steel constructed in accordance with ASTM A653 and A924 specifications and meet SMACNA's +10-inch wg positive pressure standard.

Uni-Gasket double-wall fittings are constructed with an inner liner surrounded by a layer of fiberglass insulation and covered by a solid metal outer pressure shell. Standard inner liners are 26 gauge and outer shells are 26, 24, or 22 gauge depending on diameter. The insulation is available in 1-, 2-, and 3-inch standard thicknesses from a standard density of 1.0 pcf (pounds per cubic foot) to a maximum of 1.5 pounds pcf.

Uni-Gasket double-wall fittings are compatible and available with McGill AirFlow's entire line of round, double-wall duct types in 1-inch increments for 5- through 10-inch outer shell diameters and in 2-inch increments in 12- through 24-inch outer shell diameters.

Complete specifications are available in McGill's Uni-Gasket single-wall and double-wall fittings dimension booklets. For more information about Uni-Gasket fittings, please contact the McGill AirFlow sales representative in your area.



Standard UNI-GASKET Fittings — Sizes and Gauges*

1. End Plugs — round — for duct, **not** for fittings (galvanized steel)

Diameters: 4, 5, 6, 7, 8, 9, and 10 inches — 26 gauge
 12 and 14 inches — 24 gauge
 16, 18, 20, 22, and 24 inches — 22 gauge

2. Connectors — round — (galvanized steel)

Slip Coupling — for duct-to-duct connections, **not** for fitting-to-fitting.

Diameters: 4, 5, 6, 7, 8, 9, and 10 inches — 26 gauge
 12, and 14 inches — 24 gauge
 16, 18, 20, 22, and 24 inches — 22 gauge

3. Elbows — round — (galvanized steel)

Note: All elbows have bend radii approximately equal to 1.5 times the diameter.

a. Gored Elbows — standing seam construction

45° three-gore and 90° five-gore elbow diameters:
 14 inches — 24 gauge
 16, 18, 20, 22, and 24 inches — 22 gauge

b. Pressed Elbows — two-piece, lap seam welded

45° and 90° elbow diameters: 3, 4, 5, 6, 8, 10, and 12 inches — 24 gauge

4. Reducers — concentric round — for duct-to-duct connections, **not** for fitting-to-fitting (galvanized steel)

Larger (A) and smaller (B) diameters (inches)

26 gauge	24 gauge	22 gauge
6x4	12x8	16x12
6x5	12x10	16x14
7x5	14x8	18x14
7x6	14x10	18x16
8x4	14x12	20x16
8x6		20x18
8x7		22x18
9x7		22x20
9x8		24x20
10x6		24x22
10x8		

5. Taps — round — (galvanized steel)

a. Contour flange, straight side taps — for round duct

Smaller tap (C) and larger duct (A) diameters (inches)

26 gauge		24 gauge	22 gauge
4x4	6x6	12x12	16x16
4x6			16x20
4x8	8x8	14x14	16x22
4x10		14x16	16x24
4x12	10x10	14x18	
		14x20	

b. Saddle, straight side taps — for round duct

All diameters are 24 gauge.

Smaller tap (C) and larger duct (A) diameters (inches)

6x8	8x10	10x12	12x14
6x10	8x12	10x14	12x16
6x12	8x14	10x16	12x18
	8x16		

c. Contour flange, conical taps — for round duct

Diameters (C): 4, 6, 8, and 10 inches — 26 gauge
 12 and 14 inches — 24 gauge
 16 inches — 22 gauge

Smaller tap (C) and larger duct (A) diameters (inches)

4x6	6x8	8x10	10x12	12x14	14x16	16x20
4x8	6x10	8x12	10x14	12x16	14x18	16x22
4x10	6x12	8x14	10x16	12x18	14x20	16x24
4x12		8x16				

d. Flat flange, straight side taps — for rectangular duct

Diameters: 4, 6, 8, and 10 inches — 26 gauge
 12 and 14 inches — 24 gauge
 16 inches — 22 gauge

e. Flat flange, conical taps — for rectangular duct

Diameters: 4 inches — 26 gauge
 14 inches — 24 gauge
 16 inches — 22 gauge

f. Bellmouth taps — for rectangular duct

Diameters: 6, 8, 10, and 12 inches — 24 gauge

*For information about our complete product line request McGill AirFlow's *Single-Wall Round UNI-GASKET™ Fittings and Related Products Dimensions and Specifications*. Visit us at www.mcgillairflow.com or call (614) 830-2300.

Products depicted in this brochure were current at the time of publication. As a quality-conscious manufacturer, McGill AirFlow is continually seeking ways to improve its products to better serve its customers. Therefore, all designs, specifications, and product features are subject to change without notice.

United McGill® is a registered trademark, and Uni-Gasket™, McGill AirFlow™, and Duct Express™ are trademarks of United McGill Corporation.

McGill AirFlow LLC

An enterprise of United McGill Corporation —
Family owned and operated since 1951

One Mission Park
Groveport, Ohio 43125-1149
614/829-1200, Fax: 614/829-1291
E-mail: marketing@mcgillairflow.com
Web site: mcgillairflow.com